

Microcomputer Timer Switch KG316T

- Be sure to read the manual carefully before using.
- Please safekeeping the manual.

I. Function and Application

This product can automatically switch on and switch off various kinds of electric equipments according to the fixed time. It is widely used in all electrical equipments and household appliances where needs to be controlled. Such as street lamps, neon lights, advertisement board lights, production equipments, broadcasting & TV equipments and ect.



II. Technical Specifications

Voltage Range: 180~240V 50Hz
 Capacitance: Resistance Load: 25A
 Timing Control Range: 1min~168h
 Temperature: -10°C~+50°C
 Dimension: 120×74×58mm

Voltage scope: 85%~110%
 Consumed power < 4VA
 Timing error < ±2s/day (25°C±1°C)
 Relative Humidity: < 95%
 Weight: 430g

III. Operation instructions

1. Adjust Clock

- Before using this product, please check the clock display to follow the current time, and calibrate it.
- Hold down the "CLOCK" key, meanwhile adjust respectively the key "HOUR", "MINUTE", "WEEK" in accord with the current time.

2. Time setting

step	key	Setting content
①	Press the key "TIMER"	The first switch-on setting (display 1 ^{ON})
②	Press the key "HOUR" and "MINUTE"	Set switch-on time (hour, minute)
③	Press the key "WEEK"	Working Mode: set the switch-on working days
④	Press the key "TIMER" again	The first switch-off setting (display 1 ^{OFF})
⑤	Press the key "HOUR" and "MINUTE" again	Set switch-off time (hour, minute)
⑥	Press the key "WEEK" again	Set the switch-off working days
⑦	Repeat step ① to ⑥	Set other 2 ^{on} and 2 ^{off} , 3 ^{on} and 3 ^{off} until 16 ^{on} and 16 ^{off} (if no, pls make it display " — — : — — ")
⑧	Press the key "CLOCK"	End the timing setting and enter to the state of clock display.
⑨	Press the key "AUTO/ MANU"	Adjust the switch sign▼ to the current state ("ON" or "OFF"),and adjust to the state of "AUTO".

Notice: ■ When make an error or cancel the settings, press "reset/recall "key to make it display " — — : — — " (it means no timing program, not "00:00").

- Working mode: everyday cycle, Mon., Wed. and Fri.; Tue., Thur. and Sat.; Sat.,
- Shanghai Zhuoyi Electronic Co.,Ltd.

Sun.; Mon. Tue and Wed.; Thur. Fri. and Sat.; Mon., Tue., Wed., Thur., Fri.; Mon., Tue., Wed. ,Thur. Fri. and Sat.;

- If you set the switch-on time, you must set the switch-off time to correspond.

3. For example

Some electrical equipment needs to switch on 19:00, and switch off 08:00 next day.

A. Follow the steps ①, ②, ③, and make it display as Figure 1a;

B. Follow the steps ④, ⑤, ⑥, and make it display as Figure 1b;

C. Follow the step ⑦, and make each group 2^{on} and 2^{off}, 3^{on} and 3^{off} until 16^{on} and 16^{off} display as“— —: — —”.

D. Follow the steps ⑧, ⑨, and adjust the work mode to the state of "AUTO".

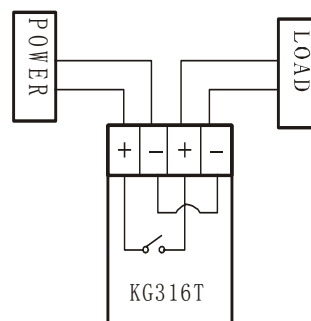
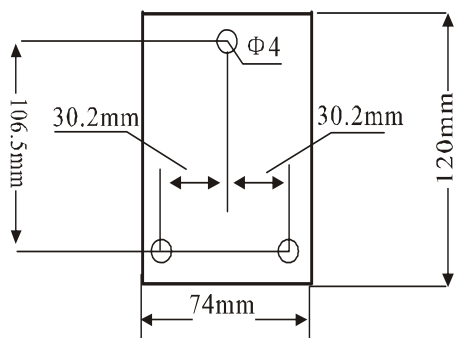


Fig1 a



Fig1 b

IV. Wring diagram



V. Maintenance

- Do not use the timer switch on the equipments which will cause the accident to affect the safety of life or harm to society with misoperation, such as medical equipment and large equipment, etc.
- When timer switch is used in equipments (large heater, or refrigerator, etc.) which will cause great property damage with misoperation, make sure the features and performance values have adequate margin. If necessary, take 2-circuit security measure and etc.
- Do not self-repair, decomposition or reconstruction the products. Please commit the repair, inspection work to the agency or the construction enterprises.
- Do not touch the terminals after connect to the power.
- Make it work under the environment where is isolated from moisture, corrosion and high content of metal gas. Do not make it contaminate with oil or water.